

全国免费服务热线  
National free service hotline

400-621-1816

中城工业集团有限公司

CHINA CITY INDUSTRIAL GROUP CO.,LTD

申龙电梯股份有限公司

SELOON ELEVATOR CO.,LTD

中国·苏州汾湖高新技术产业开发区申龙路55号  
No.55, Shenlong Road, Fenhu Hi-tech Industrial  
Development Zone, Suzhou, China

电话/Tel: 400-621-1816  
传真/Fax: 0512-6329 0163  
网站/Web: www.selon.com.cn

2024年03月版 第二次印刷

本书为一般信息类出版物，我们保留随时更改产品设计和说明的权利。  
本书的任何字句，无论其字面意思或含义，对于任何产品及产品的用途和质量，或者任何购货合同条款的表述与更改均不承担任何责任。  
由于印刷工艺的限制，实际加工的颜色可能与本册略有不同之处，最终造型可根据实际材料和色样决定。  
It is an ordinary information publication. We keep the right of alter the product design and description at any time.  
If there is any dispute out of the literal meaning of any product description, use or quality, the description and alteration of any sales contract, our company  
will not bear any responsibilities therefrom.  
Because of the restriction of the printing technology if there is any slight difference between the actually machining color and that from this pamphlet, please  
take the actual material and color sample as the criterion.



敬请关注申龙电梯

 中城工业集团有限公司  
SELOON 申龙电梯股份有限公司

ESCALATOR  
MOVING WALK  
自动扶梯/自动人行道



## 具有竞争力的自动扶梯、 自动人行道解决方案

### Competitive Escalator and Moving Walk Solutions

作为国内领先的自动扶梯、自动人行道生产商，我们根据具体环境运载需求的不同，为您提供针对性、具有竞争力的解决方案。申龙自动扶梯、自动人行道以可靠的运行性能、众多的选配功能，满足您对公共空间运载的各方面严格要求。

在设计施工过程中，我们不仅将安全性和高性价比作为重要考量因素，更是结合具体环境的差异，制定最合理化的实施方案，帮助您实现较大交通客流场所内所有乘客的顺畅通行。

目前，申龙自动扶梯、自动人行道已经成为地铁站、火车站、大型展示中心、商业中心等大型场所的理想之选。

As a leading domestic manufacturer for escalator and moving walk products, SELOON is dedicated to providing customized and competitive solutions upon specific transport requirement. We do this by providing and ensuring reliable performance and diversified optional features to meet your demanding requirements on transport in public spaces.

In the design and construction process, we develop the most reasonable implementation solution with consideration to safety and cost-effectiveness and also based on specific environment, so as to help you realize safe and smooth travelling of people in places with large volume of passenger traffic.

Currently, our products have been the ideal choices of the metro stations, railway stations, large exhibition centers and commercial centers.

## 申龙电梯，服务全球 SELOON Elevator Services Worldwide

申龙电梯股份有限公司是中国电梯协会理事单位，是一家集设计、制造、销售、安装、服务于一体的现代化电梯生产企业。

公司获得一系列资质和荣誉：国家级高新技术企业、中国电梯制造商10强、政府采购电梯十佳供应商、江苏省专精特新中小企业、智能工业示范企业、CNAS实验室认可、ISO9001认证、ISO14001认证、ISO45001认证、欧洲CE认证、绿色节能环保品牌、中国质量服务信誉AAA级示范单位等。

公司在国内主要省市建立了系统的营销服务网络。目前，产品不仅成功销往全国31个省、市、自治区，更是远销五十多个国家和地区，主要分布在南美、东欧、中东、东南亚等区域。

As the member of China Elevator Association, SELOON Elevator Co., Ltd. is a modern elevator manufacturer featuring the integration of design, manufacture, sales, installation and service.

The company gets a series of glories and qualifications such as State Level High & New Tech Enterprise, China Top 10 Elevator Manufacturer, Top 10 Government Purchase Elevator Supplier, Jiangsu Province Specialized, Refined, Characteristic and Novel Enterprise, Intellectual Industry Demonstrative Enterprise, CNAS Laboratory Accreditation, ISO9001 Certification, ISO14001 Certification, ISO45001 Certification, European CE Certification, Green Energy-Saving & Environment-Protection Brand, China Quality Service AAA Credit Demonstrative Unit etc.

The company has established a systematic marketing service network in major provinces and cities in China. The products are not only successfully sold to 31 provinces, municipalities and autonomous regions, but also exported to more than 50 countries and regions, mainly in South America, Eastern Europe, Middle East, Southeast Asia and other regions.

## 行业领先的生产资源及产能

### Leading Production Resources and Capacity in the Industry

申龙拥有达2.2万平方米的自动扶梯、自动人行道总装调试车间，是国内较早开发和生产制造自动扶梯、自动人行道的生产厂家，也是国内最具规模的整梯厂家之一。

We are a pioneer developer and manufacturer in escalator and moving walk in China and also a large-scale provider of whole staircase solutions domestically, owning 22,000 m<sup>2</sup> assembly and commissioning workshop areas.

# Key Technologies

## 核心技术

### 满足重载要求及更长使用寿命

Meet Heavy-duty Requirements and Ensure Longer Service Life

- 驱动主机使用了高精度蜗轮蜗杆，结构紧凑，承载力大，工作平稳，噪音小；
  - 苗条型扶梯弧形入口，安全美观，金属外壳坚固耐用；
  - 扶手带由橡胶表层，钢丝加强层和锦纶摩擦层组成，拥有更强悍的抗拉强度和适宜的摩擦系数；
  - 扶手带压轮采用铝芯橡胶轮，压力均匀，寿命长，扶手带驱动能力强；
  - 优质铝合金型材制成的围框，平整、美观，具有耐腐蚀特性；
  - 电脑自动加油器适时、适量为链条传动机构提供润滑，始终减少磨损，良好运行；
- Lift machine with high-precision turbine vortex rod and compact structure, making large capacity, stable performance and low noise possible.
  - Slim type escalator applies curved entrance, safe and beautiful, with a sturdy and durable metal shell.
  - Handrail belt composed of rubber surface layer, enhanced wire-steel layer and nylon friction layer have tensile strength and appropriate friction coefficient.
  - Handrail protective roller composed of rubber profile with aluminum core, ensuring even pressure, long service life and strong driving force.
  - Enclosure frames made of superior aluminum alloy, ensuring smooth and nice appearance and corrosion resistance.
  - Automatic oiler controlled by computer, ensuring timely and appropriate lubrication for the chain driver, with less tear and wear and good operation.

### 符合甚至高于国际标准的安全保障

Meet or Above International Safety Standards

- 自动扶梯、自动人行道电子式非操纵逆转保护装置、超速保护装置、欠速保护装置和梯级、踏板缺失保护装置、过载保护、梯级链断链保护、张紧装置异常保护、扶手带入口保护、梯级下陷保护、制动器释放检测保护、楼层板开启保护、扶手带速度监测保护、制动距离异常保护、电气安全装置接地故障保护等安全保护装置，有效保障了安全运行；
  - 截面完全对称的扶手支架有助于消除扶手带的侧向偏移，减少扶手带磨损发热；
  - 附加制动器，用于公共交通型或提升高度超过6m的自动扶梯、自动人行道；
  - 经压边的围裙板与斜盖板间配合更加严丝合缝，两侧裙板形成光滑平面，消除勾拌危险；
- Escalator non-manipulated reversal protection device, overspeed protection device, underspeed protection device, step and footplate missing protection device, overload protection, broken step chain protection, tension device abnormal protection, handrail let protection, step broken protection, brake releasing inspection protection, floor plate open protection, handrail speed monitoring protection, brake distance fault protection, electric safety ground fault device are equipped to effectively ensure safe operation.
  - Handrail bracket with completely symmetrical cross-section helps ensure no lateral offset of handrail and reduce friction of the handrail belt.
  - Additional brake is designed for escalator and moving walk applied in public transportation or in application requiring lifting height over 6m.
  - Seamless connection is achieved between the apron plate and the inclined cover plate after blank pressing, enabling the apron plates of both sides to form smooth and flat surfaces so as to remove the risks of hooking.

### 更为环保节能的高效运行

Environmental Protection and Energy Efficiency

- 可选双模（变频和星/三角）运行。在变频器发生故障时，自动或手动切换至星/三角运行，减小故障停机时间，提高服务质量；
  - 可选LED围裙板照明；
  - 可选高效的变频驱动，工作更平稳，运作更加高效；
  - 与传统照明相比，新型LED照明选项可节能80%以上；
  - 自动启动/停止，带交通指示灯，可合理利用能效；
- Two modes for running: VVVF and star-delta. Shift to star-delta running mode manually or automatically when the inverter breaks down, reduce downtime, elevate service quality.
  - LED skirt lighting is available.
  - Efficient variable frequency drive is optional to ensure stable operation and more efficient running.
  - The new LED lighting option saves 80% above energy in comparison with the traditional lighting.
  - Automatic start/stop function with traffic light realizes rational and efficient use of energy.



1. 梯级运行方向，速度监测；  
Step running direction & speed monitoring;
2. 电脑自动加油装置；  
Automatic lubrication;
3. 附加制动器及其联动装置；  
Auxiliary brake and linkage device;
4. 扶手带测速；  
Handrail speed monitoring;
5. 梯级和黄色安全警示边界；  
Step and Yellow safety edge;
6. LED裙板照明；  
Skirt panel LED lighting;
7. 不同颜色的扶手带；  
Handrail of different color;
8. 中心对称的扶手支架；  
Symmetrical handrail support;
9. 围裙板压边结构；  
Skirt panel with blank holder structure;
10. 主机、制动器和制动器释放监测；  
Motor, brake and monitoring of brake releasing;
11. 不锈钢出入口面板，毛刷型出入口保护装置；  
Stainless steel entrance panel, brush type entrance protection device;
12. 不锈钢防滑面板；  
Stainless steel antiskid panel;
13. 梯级间隙照明；  
Step gap lighting;
14. 梯级缺失监测；  
Step missing monitoring;
15. 带压轮辅助加力的扶手带摩擦驱动装置。  
Handrail friction driving device with auxiliary pinch roller torque.

# Escalator Series

## 自动扶梯系列

### 30°/35° FPL 普通型 /FML 苗条型自动扶梯 30°/35°FPL Common Type and FML Slim Type Escalators

普通型及苗条型自动扶梯严格按照欧洲 EN115 标准和国家标准 GB16899 标准设计制造，运行平稳、静音、安全可靠，其模块化设计理念，融入每一细节，具备广泛的功能及选择多样化特点，以满足不同客户的需求和配合建筑物的风格和整体形象。

Common type and slim type escalators are designed and manufactured strictly in accordance with EU standard EN115 and national standard GB16899, featuring stable and quiet running and reliable and safe operation. The idea of module design can be seen in every detail. Multiple functions and diversified options can meet different needs of clients and tone with the style and the whole image of the building.

### 外观设计

#### Exterior Design

- 扶手设计：普通型/苗条型垂直玻璃扶栏10mm厚安全钢化玻璃
- 扶手支架：铝合金/发纹不锈钢
- 扶手带：黑色环状硫化橡胶带，内嵌钢丝绳，可选其他颜色
- 内外盖板：发纹不锈钢
- 围裙板：发纹不锈钢
- 梯级：黑色不锈钢梯级（室内）/ 铝合金一体压铸成型，银灰色或黑色（室外）
- 梯级安全标记：黄色喷涂警示边界，黄色塑料警示边界
- 乘降板：不锈钢冲压防滑面板，可选蚀刻不锈钢，带防滑图案
- 操作板：红色急停按钮和上下行启动钥匙开关
- 梯级间隙照明：LED

Handrail: vertical balustrades made of 10mm thick toughened safety glass for common type and slim type

Handrail bracket: aluminum alloy/hairline-finished stainless steel

Handrail belt: black and ring-like vulcanized rubber belt embedded with steel wire ropes; other colors are available

Exterior/interior cover plate: hairline-finished stainless steel

Apron plate: hairline-finished stainless steel

Step: Black stainless steel step (indoor)/aluminum alloy die-casted step, silver or black (outdoor)

Safety signs of steps: painted yellow warning boundary or plastic yellow warning boundary

Lifting board: stainless steel press formed antiskid board, and optional etched stainless steel, with antiskid signs

Operation panel: red button for emergency stop, and key switch for up and down running

Step lighting: LED

### 主要规格

#### Main Specifications

- |   |   |
|---|---|
| 安装场合：室内 / 室外  | Installation place: indoor/outdoor  |
| 运行时间：每天可运行 20 小时  | Running time: 20 hours per day  |
| 提升高度：(1.0~11.76)m(35° 仅用于 6m 以下)  | Lifting height: (1.0~11.76)m (35°, only for 6m below)   |
| 倾斜度：30°/35°   | Inclination: 30°/35°  |
| 梯级宽度：600mm/800mm/1000mm   | Step width: 600mm/800mm/1000mm  |
| 水平梯级：2/3 级  | Flat step: 2/3 steps  |
| 额定速度：0.5m/s, 0.65m/s (仅用于30°以下)   | Rated speed: 0.5m/s, 0.65m/s (Only available for inclination less than 30°)   |
| 输送能力：0.5m/s 时，3600 人 / (小) 时，4800 人 / (小) 时，6000 人 / (小) 时；<br>0.65m/s 时，4400 人 / (小) 时，5900 人 / (小) 时，7300 人 / (小) 时 | Carrying capacity: 0.5m/s, 3600 persons per hour / 4800 persons per hour / 6000 persons per hour,<br>0.65m/s, 4400 persons per hour / 5900 persons per hour / 7300 persons per hour |
| 电源供应：三相交流 380V/50Hz   | Power supply: three-phase alternating current 380V/50Hz   |
| 照明电源：单相 220V/50Hz   | Lighting power: single phase current 220V/50Hz  |

## FGL系列公共交通型自动扶梯 FGL Public Traffic Type Escalators

公共交通型自动扶梯适用安装在户内和户外，具有多种选配功能，可以满足客户的各种需求。公共交通型自动扶梯能满足大客流量，长时间连续运行的要求，能承受各种十分恶劣和苛刻的环境状况。

The public traffic type escalator is suitable to be installed both outdoor and indoor. It is featured with diversified optional functions to meet different needs and it can also deal with large passenger flow volume and meet long-time running requirement as well as work in various extreme and demanding conditions.



### 外观设计 Exterior Design

扶手设计：垂直玻璃扶栏 / 倾斜不锈钢扶栏

扶手支架：铝合金 / 发纹不锈钢

扶手带：黑色环状硫化橡胶带，内嵌钢丝绳

内外盖板：发纹不锈钢

围裙板：发纹不锈钢

梯级：不锈钢梯级，黑色电泳漆，带黄色安全边界；（室内）

铝合金一体压铸踏板，银灰色或黑色，无黄色喷涂警示边界或黄色喷涂警示边界；（室内/室外）

梯级安全标记：黄色喷涂警示边界，黄色塑料警示边界

乘降板：蚀刻不锈钢，带防滑图案 / 铝合金型材

操作板：红色急停按钮和上下行起动手柄开关

梯级间隙照明：LED

Handrails: vertical glass balustrades and inclined stainless steel balustrades

Handrail bracket: aluminum alloy/hairline-finished stainless steel

Handrail belt: black and ring-like vulcanized rubber belt, embedded with steel wire ropes

Exterior/interior cover plate: hairline-finished stainless steel

Apron plate: hairline-finished stainless steel

Step: Stainless steel step, black electrophoretic paint, with yellow safety demarcation; (Indoor)

Aluminum alloy die-casted step, silver or black color, with yellow safety demarcation, without yellow spray demarcation or with yellow spray demarcation (outdoor)

Steps safety signs: painted yellow warning boundary or plastic yellow warning boundary

Lifting board: etched stainless steel, with black antiskid signs/ aluminum alloy

Operation panel: red button for emergency stop, and key switch for up and down running

Step lighting: LED

### 主要规格

#### Main Specifications

安装场合：室内 / 半户外 / 户外

运行时间：每天可运行 20 小时

提升高度：(1.5~11.76)m

倾斜度：30° / 27.3° / 23.2°

梯级宽度：600mm/800mm/1000mm

水平梯级：3 级

梯路上部曲率半径：1500mm/2700 mm

额定速度：0.5m/s, 0.65m/s

输送能力：0.5m/s 时，3600人 / (小时)、4800人 / (小时)、

6000人 / (小时)；

0.65m/s 时，4400人 / (小时)、5900人 / (小时)、7300人

/ (小时)

电源供应：三相交流 380V/50Hz

照明电源：单相 220V/50Hz

Installation place: indoor/semi-outdoor/outdoor

Running time: 20 hours per day

Lifting height: (1.5~11.76)m

Inclination: 30°/27.3°/23.2°

Step width: 600mm/800mm/1000mm

Flat step: 3 steps

Radii of curvature of the upper stair: 1500mm/2700mm

Rated speed: 0.5m/s, 0.65m/s

Carrying capacity: 0.5m/s, 3600 persons per hour / 4800 persons per hour

/ 6000 persons per hour

0.65m/s, 4400 persons per hour / 5900 persons per hour / 7300 persons per hour

Power supply: three-phase alternating current 380V/50Hz

Lighting power: single phase current 220V/50Hz

## FZL系列重载公交型自动扶梯

### FZL Heavy-duty Public Traffic Type Escalators

申龙重载公交型自动扶梯，根据和谐运载理念，集美学、安全、环保于一身，是一款专为公共交通量身定做能够经受苛刻环境考验的高效的重型扶梯解决方案。

The FZL escalators are designed based on harmonious carrying and integrate with aesthetics, safety and environmental protection. They are effective and heavy-duty escalators tailored for transport in public spaces or working under demanding conditions.

#### 外观设计

##### Exterior Design

**扶手设计:** 垂直玻璃扶栏 / 倾斜不锈钢扶栏  
**扶手支架:** 铝合金 / 发纹不锈钢  
**扶手带:** 黑色环状硫化橡胶带，内嵌钢丝绳  
**内外盖板:** 发纹不锈钢  
**围裙板:** 发纹不锈钢  
**梯级:** 不锈钢梯级，黑色电泳漆，带黄色安全边界；(室内)  
**铝合金一体压铸踏板，银灰色或黑色，无黄色喷涂警示边界或黄色喷涂警示边界；(室内/室外)**  
**梯级安全标记:** 黄色喷涂警示边界 黄色塑料警示边界  
**乘降板:** 蚀刻不锈钢，带防滑图案 / 铝合金型材  
**操作板:** 红色急停按钮和上下行动钥匙开关  
**梯级间隙照明:** LED  
**Handrails:** vertical glass balustrades and inclined stainless steel balustrades  
**Handrail bracket:** aluminum alloy/hairline-finished stainless steel  
**Handrail belt:** black and ring-like vulcanized rubber belt, embedded with steel wire ropes  
**Exterior/interior cover plate:** hairline-finished stainless steel  
**Apron plate:** hairline-finished stainless steel  
**Step:** Stainless steel step, black electrophoretic paint, with yellow safety demarcation; (Indoor)  
 Aluminum alloy die-casted step, silver or black color, with yellow safety demarcation, without yellow spray demarcation or with yellow spray demarcation (outdoor)  
**Steps safety signs:** painted yellow warning boundary or plastic yellow warning boundary  
**Lifting board:** etched stainless steel, with black antiskid signs/aluminum alloy  
**Operation panel:** red button for emergency stop, and key switch for up and down running  
**Step lighting:** LED

#### 主要规格

##### Main Specifications

**安装场合:** 室内 / 半户外 / 户外  
**运行时间:** 每天可运行 20 小时  
**提升高度:** (3.0~24.0)m  
**倾斜度:** 30° /27.3° /23.2°  
**梯级宽度:** 800mm/1000mm  
**水平梯级:** 4 级  
**梯路上部曲率半径:** 3000mm  
**额定速度:** 0.5m/s, 0.65m/s  
**输送能力:** 0.5m/s 时, 4800 人 / (小) 时, 6000 人 / (小) 时;  
 0.65m/s 时, 5900 人 / (小) 时, 7300 人 / (小) 时  
**电源供应:** 三相交流 380V/50Hz  
**照明电源:** 单相 220V/50Hz  
**Installation place:** indoor/semi-outdoor/outdoor  
**Running time:** 20 hours per day  
**Lifting height:** (3.0~24.0)m  
**Inclination:** 30°/27.3°/23.2°  
**Step width:** 800mm/1000mm  
**Horizontal steps:** 4 steps  
**Radii of curvature of the upper stair:** 3000mm  
**Rated speed:** 0.5m/s, 0.65m/s  
**Carrying capacity:** 0.5m/s, 4800 persons per hour / 6000 persons per hour  
 0.65m/s, 5900 persons per hour / 7300 persons per hour  
**Power supply:** three-phase alternating current 380V/50Hz  
**Lighting power:** single phase current 220V/50Hz



## SFD型大高度室外公交型自动扶梯

### SFD Large Height Outdoor Public Traffic Type Escalators

申龙自主研发生产的大高度室外公交型自动扶梯，最大提升高度可达57.6米，更为强大的运载能力和卓越的提升高度，为综合型交通枢纽、购物中心等大型公共场所提供完美的客流运载方案。

The large and high escalator for outdoor public traffic independently developed by SELOON can achieve a lifting height of 57.6m, featuring large carrying capacity and stunning lifting height. We can provide a perfect solution for passenger transport in large public places like traffic hubs and shopping malls, etc.

#### 外观设计

##### Exterior Design

扶手设计：倾斜不锈钢扶栏  
 扶手支架：发纹不锈钢  
 扶手带：黑色环状硫化橡胶带，内嵌钢丝绳  
 内外盖板：发纹不锈钢  
 围裙板：发纹不锈钢  
 梯级：铝合金一体压铸成型，银灰色或黑色（室外）  
 梯级安全标记：黄色喷涂警示边界 黄色塑料警示边界  
 乘降板：铝合金型材  
 操作板：红色急停按钮和上下行起停钥匙开关  
 梯级间隙照明：LED

Handrails: inclined stainless steel balustrades

Handrail bracket: hairline-finished stainless steel

Handrail belt: black and ring-like vulcanized rubber belt, embedded with steel wire ropes

Exterior/interior cover plate: hairline-finished stainless steel

Apron plate: hairline-finished stainless steel

Step: Aluminum alloy die-casted step, silver or black color (outdoor)

Safety signs of steps: painted yellow warning boundary or plastic yellow warning boundary

Lifting board: aluminum alloy

Operation panel: red button for emergency stop, and key switch for up and down running

Step lighting: LED

#### 主要规格

##### Main Specifications

安装场合：户外

运行时间：每天可运行 24 小时

提升高度：(24.0~57.6)m

倾斜度：30°

梯级宽度：1000mm

水平梯级：4 级

梯路上部曲率半径：5000mm

额定速度：0.5m/s, 0.65m/s

输送能力：0.5m/s 时，6000 人 / (小时)；

0.65m/s 时，7300 人 / (小时)

电源供应：三相交流 380V/50Hz

照明电源：单相 220V/50Hz

Installation place: outdoor

Running time: 24 hours per day

Lifting height: (24.0~57.6)m

Inclination: 30°

Step width: 1000mm

Horizontal steps: 4 steps

Radius of curvature of the upper stair: 5000mm

Rated speed: 0.5m/s, 0.65m/s

Carrying capacity: 0.5m/s, 6000 persons per hour

0.65m/s, 7300 persons per hour

Power supply: three-phase alternating current

380V/50Hz

Lighting power: single phase current

220V/50Hz



## Moving Walk Series

### 自动人行道系列

申龙系列自动人行道有0度至12度的各种款式供用户选择，广泛应用于各大商场、车站、码头、航空港、购物中心、娱乐中心、展览馆等各类公共场所，为您的建筑平添一道亮丽的流动风景线。产品采用了国际先进技术和先进的设计理念，不仅能满足人流量巨大的运输问题，又能满足长距离步行和运送礼车、婴儿车、购物车、残疾人等，使人们在乘坐的时候有如履平地的感觉，大大方便了人们的出行与购物。申龙系列自动人行道以精巧的结构、精良的梯路、精致的带路，典雅独特的设计造型，持续为世界运行繁荣。

SELOON can provide a wide range of moving walks with 0-12 inclination degrees. Our products are widely used in public places like department stores, bus stations, ports, airports, shopping mall, entertainment center, exhibition center. We are sure our product will add an astonishing and flowing view to your building. Our products are applied with advanced international technology and designed with frontline ideas, they can not only meet requirement for mass passengers transport, but also satisfy the needs for long-distance walking, fourgons, prams, shopping carts and vehicles for the disabled. People will feel like walking on the ground when they are on our autowalk, significantly facilitating people's travel and shopping. Our products are known for their exquisite structure, superior stairs and unique form. We always and will make efforts to move forward.

#### 外观设计

#### Exterior Design

**扶手设计:** 普通型 / 苗条型垂直玻璃扶栏 10mm 厚安全钢化玻璃。

**扶手支架:** 铝合金 / 发纹不锈钢。

**扶手带:** 黑色环状硫化橡胶带，内嵌钢丝绳。

**内外盖板:** 发纹不锈钢。

**围裙板:** 发纹不锈钢。

**踏板:** 不锈钢冲压成型，黑色电泳漆，黄色安全边界（室内）  
铝合金一体压铸成型，银灰色或黑色（室外）

**踏板安全标记:** 黄色塑料警示边界（不锈钢踏板）/ 黄色喷涂警示边界（铝合金踏板）

**升降板:** 蚀刻不锈钢，带防滑图案。

**操作板:** 红色急停按钮和上下行起动机开关。

**Handrail:** vertical glass balustrades and 10mm thick toughened safety glass for common type and slim type

**Handrail bracket:** aluminum alloy/hairline-finished stainless steel

**Handrail belt:** black and ring-like vulcanized rubber belt, embedded with steel wire ropes

**Exterior/interior cover plate:** hairline-finished stainless steel

**Apron plate:** hairline-finished stainless steel

**Treadle:** Stainless steel stamping, black electrophoretic paint, yellow safety demarcation (indoor)  
Aluminum alloy die-casted step, silver or black color (outdoor)

**Treadle safety signs:** Yellow plastic safety demarcation (stainless steel step)  
Yellow spray safety demarcation (aluminum alloy step)

**Lifting board:** etched stainless steel with black antiskid signs

**Operation panel:** red button for emergency stop, and key switch for up and down running

#### 主要规格

#### Main specifications

**安装场合:** 室内 / 半户外 / 户外

**运行时间:** 每天可运行 24 小时

**提升高度:** (1.0~12.0)m

**倾斜度:** 10° / 11° / 12°

**梯级宽度:** 800mm/1000mm

**梯路上部曲率半径:** 3500mm / 6000 mm

**额定速度:** 0.5m/s

**输送能力:** 4800 人 / (小时) ; 6000 人 / (小时) ;

**电源供应:** 三相交流 380V / 50Hz

**照明电源:** 单相 220V / 50Hz

**Installation place:** indoor/semi-outdoor/outdoor

**Running time:** 24 hours per day

**Lifting height:** (1.0~12.0)m

**Inclination:** 10°/11°/12°

**Step width:** 800mm/1000mm

**Radius of curvature of the upper stair:** 3500mm

**Rated speed:** 0.5m/s

**Carrying capacity:** 4800 persons per hour / 6000 persons per hour

**Power supply:** three-phase alternating current 380V/50HZ

**Lighting power:** single phase current 220V/50HZ



# Worry-free Elevator Butler Service

## 全程无忧的电梯管家服务

电梯需要定期维护保养才能保证最佳的运行状态，有了我们遍布国内及国外的专业维修网络，即使是最复杂的技术难题也能得到快速有效的解决，我们提供灵活的维保方案由您选择，让您在选择了申龙的同时，也拥有了更好的服务。

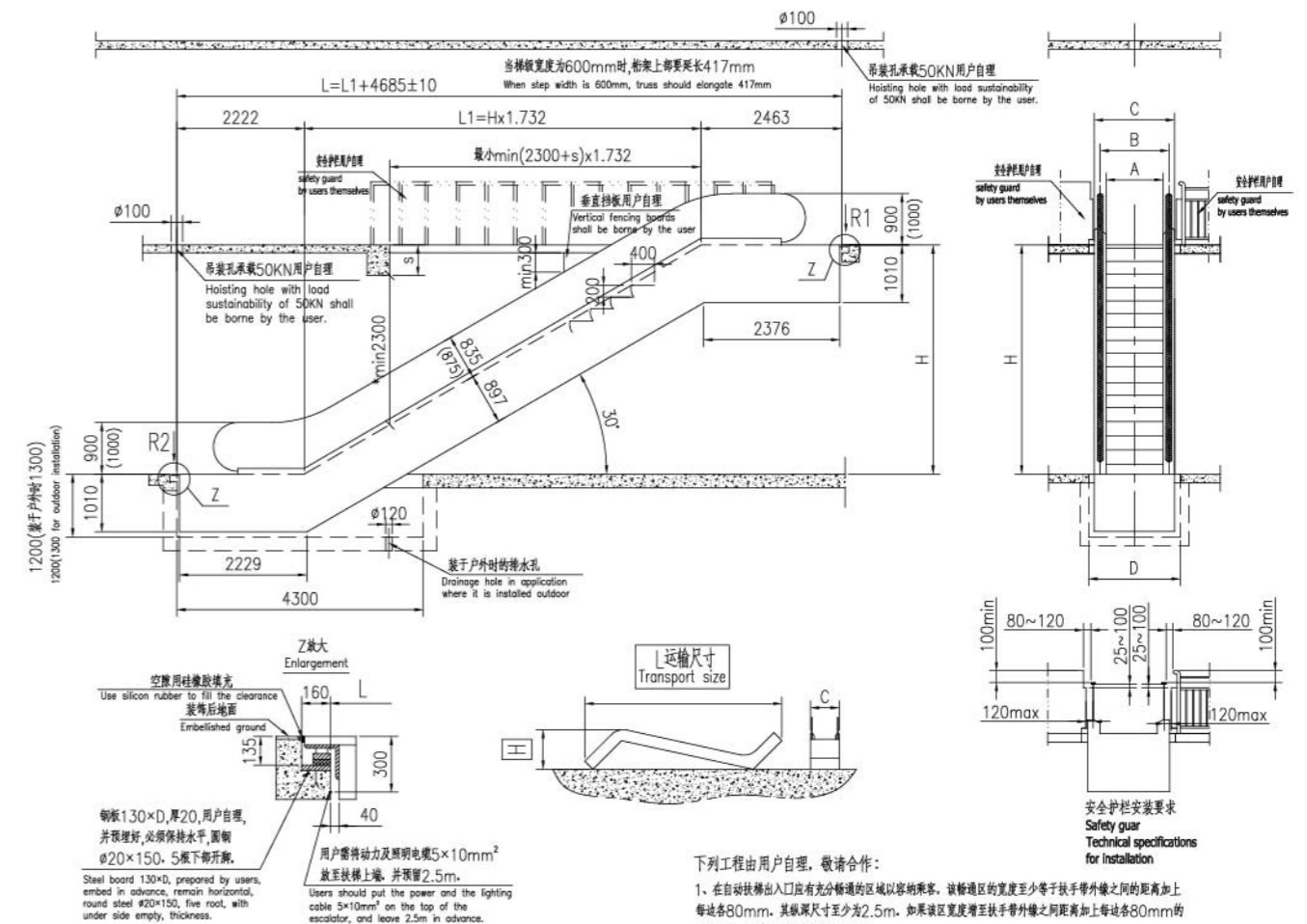
电梯管家服务意味着卓越优质的服务，及时有效的维修和预防性零配件更换，我们的努力让您的电梯始终处于稳定、高效的运行中。定期的服务报告和持续的档案追踪简化了流程，协助维保工作的顺利进行，确保每一个客户都能畅享无忧。

Elevator requires regular maintenance to ensure the best operation status. With our professional maintenance network at home and abroad, even the most complex technical problems can be resolved quickly and efficiently. We offer flexible maintenance plans for you to choose, allowing you to have better services by choosing SELOON.

The elevator butler service means superior quality service, and timely and effective maintenance and preventive replacement of spare parts. With our great efforts, your elevator will be always maintained in a stable and efficient operation. Regular service reports and continuous file tracking simplify the process, contribute to smooth implementation of repair and maintenance works, and ensure that every customer can enjoy worry-free service.

### 30° FPL 普通型 / FML 苗条型自动扶梯土建布置图

#### 30° FPL Common Type/ FML Slim Type Escalator Construction Layout



注：当L>E时需要增加中间支点。  
Note: When L>E, add intermediate supporting point shall be added. It should use middle support.

型号Model	A	B	C	D	E
FPL30-600	600	838	1140	1200	18500
FPL30-800	800	1038	1340	1400	16900
FPL30-1000	1000	1238	1540	1600	15700

下列工程由用户自理，敬请合作：

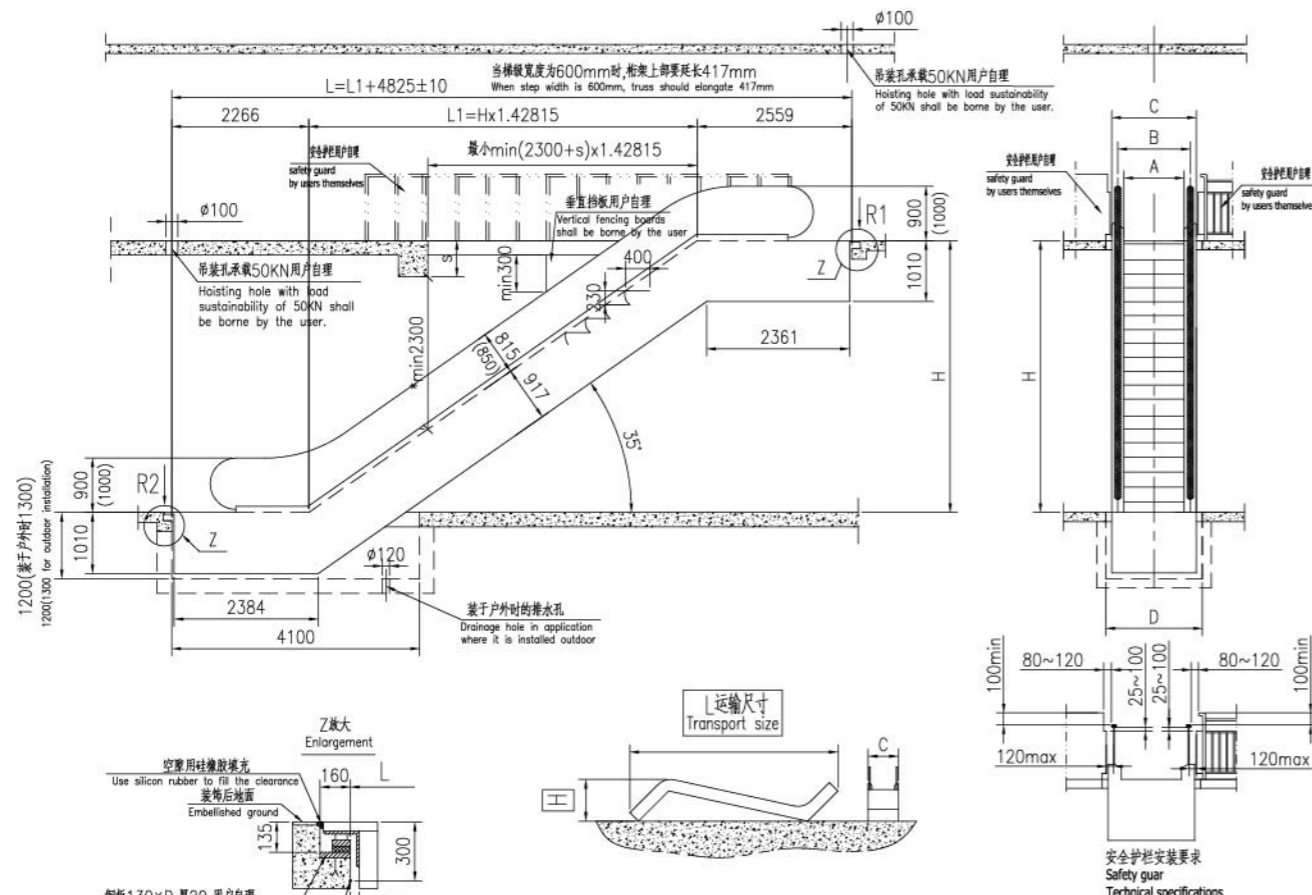
1. 在自动扶梯出入口应有充分畅通的区域以容纳乘客，该畅通区的宽度至少等于扶手带外缘之间的距离加上每边各80mm，其纵尺寸至少为2.5m。如果该区域宽度增至扶手带外缘之间距离加上每边各80mm的两倍以上，则其纵尺寸允许减少至2m。
  2. 自动扶梯与楼板交叉以及各交叉布置的自动扶梯之间，应在外盖板上方设置一个无锐利边缘的垂直防撞挡板，其高度不应小于0.3m，且至少延伸至扶手带下缘25mm处（扶手带外缘与任何障碍物之间的距离大于或等于400mm时，则无须遵守该要求）。
  3. 防止进入自动扶梯外盖板区域的照灯装置。
  4. 扶梯周围的防护栏杆和扶梯两侧的防坠帘。
  5. 用户应为自动扶梯及其周边提供足够和适当的照明，在出入口，包括梳齿板区域的照明度和该区域所要求的照明度相一致。室内或室外自动扶梯的出入口的照度应分别至少为50LX或15LX，这些均是在地面测出的值。
  6. 扶梯周围地板、天花板的加工工程。
  7. 若扶梯安装在顶层，底坑的排水工程由用户自理；如有必要，则采用防火结构。
  8. 主动力电缆前（或后）接空气开关（DZ100）和保险丝（RL60）。
- \*当此处有障碍物时，也必须保证踏板上方净高度不得小于2300。

提升高度 Travelling height (mm)	净重 Net height (KN)	FPL30-600			FPL30-800			FPL30-1000			运输尺寸 Transport size			
		支撑荷载(KN) Supporting load		电机功率(KW) Motor power	支撑荷载(KN) Supporting load		电机功率(KW) Motor power	支撑荷载(KN) Supporting load		电机功率(KW) Motor power	H	L		
		R1	R2	0.5m/s	R1	R2	0.5m/s	R1	R2	0.5m/s				
3000	57	46	41	5.5	59	52	47	5.5	63	59	53	5.5	2120	10860
3500	60	49	44	5.5	63	56	50	5.5	67	64	57	7.5	2150	11850
4000	64	52	47	5.5	67	60	54	5.5	71	68	61	7.5	2180	12850
4500	68	56	50	5.5	71	64	57	7.5	75	73	65	7.5	2200	13840
5000	71	59	53	5.5	74	68	60	7.5	83	79	71	9	2220	14830
5500	75	62	56	5.5	82	74	66	7.5	87	84	75	9	2230	15830
6000	79	65	59	5.5	85	78	69	7.5	92	88	79	9	2240	16820

\*以上参数为设备标准时尺寸，如有特殊请与我司技术联系。

### 35° FPL 普通型 /FML 苗条型自动扶梯土建布置图

#### 35° FPL Common Type/FML Slim Type Escalator Construction Layout



下列工程由用户自理，敬请合作：  
 1. 在自动扶梯出入口应有充分畅通的区域以容纳乘客，该畅通区的宽度至少等于扶手带外缘之间的距离加上每边各80mm，其纵深尺寸至少为2.5m。如果该区域宽度增至扶手带外缘之间距离加上每边各80mm的两倍以上，则其纵深尺寸允许减少至2m。  
 2. 自动扶梯与梯级交叉以及各交叉布置的自动扶梯之间，应在外盖板上方设置一个无锐利边缘的垂直防撞板，其高度不应小于0.3m，且至少延伸至扶手带下缘25mm处(扶手带外缘与任何障碍物之间的距离大于或等于400mm时，则无须遵守该要求)。  
 3. 防止进入自动扶梯外盖板区域的阻挡装置。  
 4. 扶梯周围的防护栏杆和扶梯两侧的防撞罩。  
 5. 用户应为自动扶梯及其周边提供足够和适当的照明，在出入口，包括梳齿板的照明和该区域所要求的照明度相一致。室内或室外自动扶梯的出入口的光照度分别至少为50LX或15LX，这些均是在地面测出的值。  
 6. 扶梯围裙板、天花板的加工工程。  
 7. 若扶梯设在底层，底层的排水工程由用户自理，如有必要，则采用防水结构。  
 8. 主动力电缆前(就近)接空气开关(DZ100)和保险丝(RL60)。  
 \*当此处有梁或其它障碍物时，也必须保证踏板上方净高度不得小于2300。

注：当L>E时需要增加中间支点。  
 Note: When L>E, add intermediate supporting point shall be added. It should use middle support.

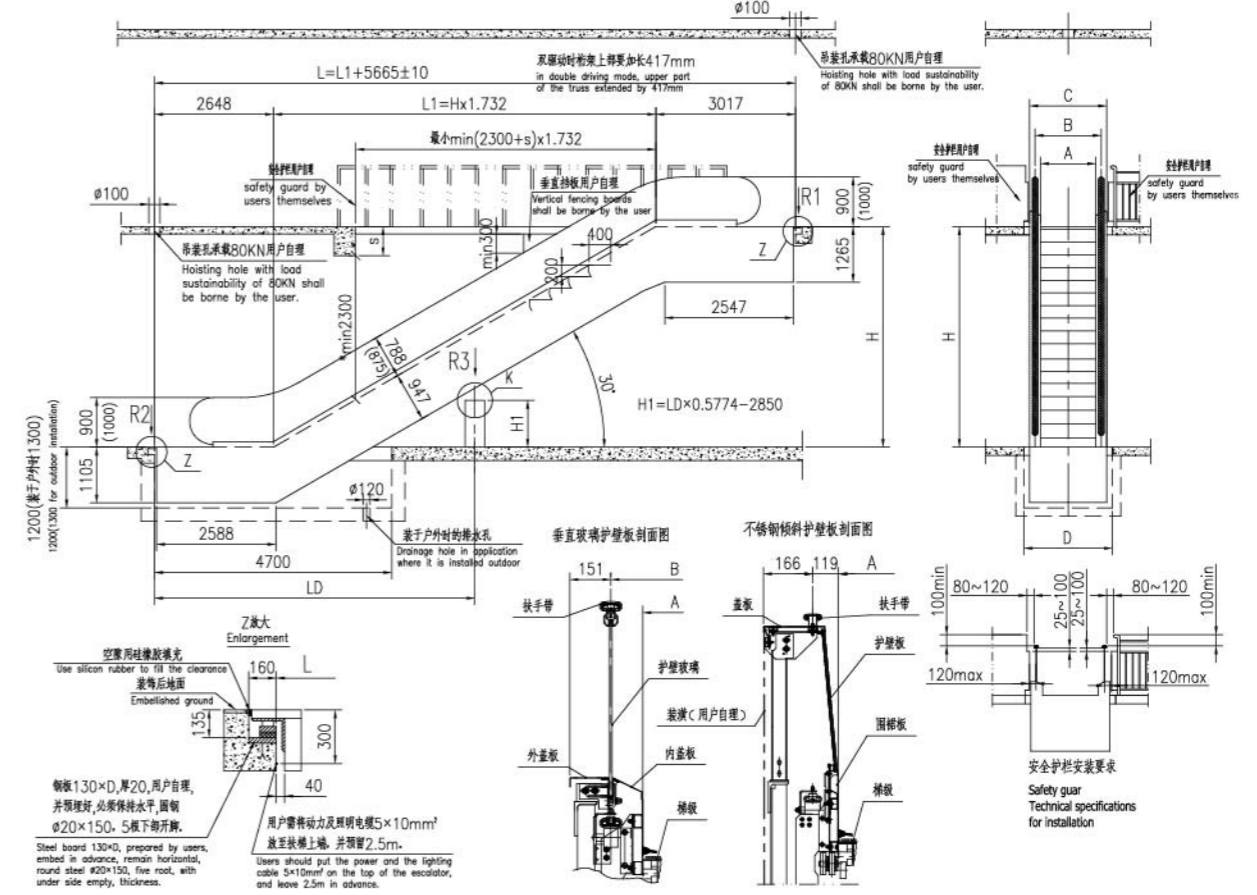
型号Model	A	B	C	D	E
FPL35-600	600	838	1140	1200	18500
FPL35-800	800	1038	1340	1400	16900
FPL35-1000	1000	1238	1540	1600	15700

型号Model	FPL35-600			FPL35-800			FPL35-1000			运输尺寸 Transport size			
	提升高度 Travelling height (mm)	净重 Net height (KN)	支撑荷载(Supporting load)		电机功率(Motor power)	净重 Net height (KN)	支撑荷载(Supporting load)		电机功率(Motor power)	H	L		
			R1	R2			R1	R2				R1	R2
3000	54	43	39	5.5	56	49	44	5.5	60	56	50	2220	10180
3500	57	46	41	5.5	60	52	47	5.5	64	60	53	2250	11030
4000	60	49	44	5.5	63	56	50	5.5	67	64	57	2290	11890
4500	64	52	46	5.5	66	59	53	7.5	71	67	60	2310	12750
5000	67	54	49	5.5	70	62	56	7.5	74	71	64	2330	13610
5500	70	57	51	5.5	73	65	59	7.5	82	77	69	2350	14470
6000	73	60	54	5.5	76	69	61	7.5	85	81	72	2370	15330

\*以上参数为设备标准时尺寸，如有特殊请与我司技术联系。

### 30° FGL 公共交通型自动扶梯土建布置图

#### 30° FGL Public Traffic Type Escalator Construction Layout



下列工程由用户自理，敬请合作：  
 1. 在自动扶梯出入口应有充分畅通的区域以容纳乘客，该畅通区的宽度至少等于扶手带外缘之间的距离加上每边各80mm，其纵深尺寸至少为2.5m。如果该区域宽度增至扶手带外缘之间距离加上每边各80mm的两倍以上，则其纵深尺寸允许减少至2m。  
 2. 自动扶梯与梯级交叉以及各交叉布置的自动扶梯之间，应在外盖板上方设置一个无锐利边缘的垂直防撞板，其高度不应小于0.3m，且至少延伸至扶手带下缘25mm处(扶手带外缘与任何障碍物之间的距离大于或等于400mm时，则无须遵守该要求)。  
 3. 防止进入自动扶梯外盖板区域的阻挡装置。  
 4. 扶梯周围的防护栏杆和扶梯两侧的防撞罩。  
 5. 用户应为自动扶梯及其周边提供足够和适当的照明，在出入口，包括梳齿板的照明和该区域所要求的照明度相一致。室内或室外自动扶梯的出入口的光照度分别至少为50LX或15LX，这些均是在地面测出的值。  
 6. 扶梯围裙板、天花板的加工工程。  
 7. 若扶梯设在底层，底层的排水工程由用户自理，如有必要，则采用防水结构。  
 8. 主动力电缆前(就近)接空气开关(DZ100)和保险丝(RL60)。  
 \*当此处有梁或其它障碍物时，也必须保证踏板上方净高度不得小于2300。

注：E表示两支点间的最大距离。  
 Note: E denotes the maximum distance between the two supporting points.

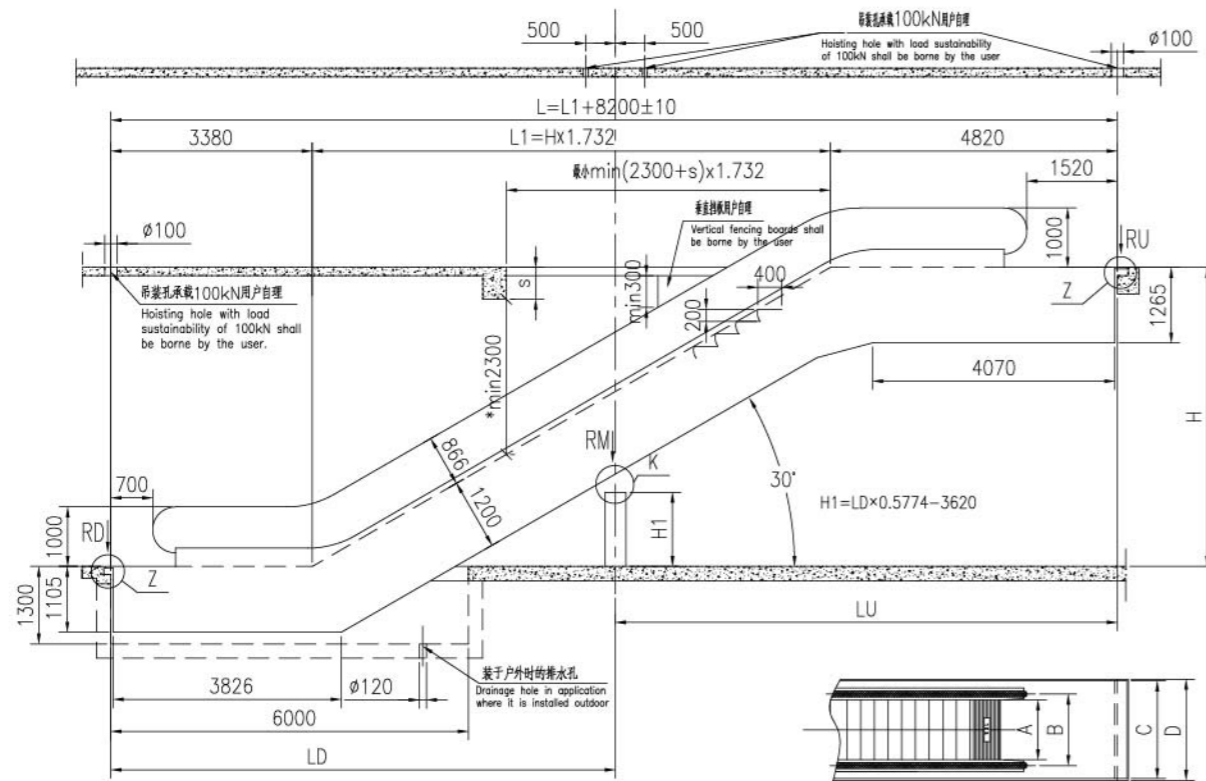
型号Model	A	B	C	D	E
FGL30-800	800	1038	1340	1400	16900
FGL30-1000	1000	1238	1540	1600	15700

型号Model	FGL30-800			FGL30-1000			运输尺寸 Transport size	
	提升高度 Travelling height (mm)	净重 Net height (KN)	支撑荷载(Supporting load)		电机功率(Motor power)	净重 Net height (KN)	H	L
			R1	R2				
6000	75	45	37	93	11	15	107	17760
6500	83	47	39	98	11	15	111	18750
7000	87	49	41	103	11	15	116	19750
7500	92	51	43	108	15	15	120	20750
8000	97	53	45	113	15	11x2	125	21740
8500	103	55	47	118	15	11x2	129	22740
9000	110	57	49	123	15	11x2	134	23740
9500	116	59	51	128	15	11x2	139	24740
10000	122	61	53	133	15	11x2	143	25740
10500	126	63	55	138	11x2	11x2	147	26740
11000	130	65	57	142	11x2	11x2	151	27740
11500	136	67	59	147	11x2	11x2	157	28740

\*以上参数为设备标准时尺寸，如有特殊请与我司技术联系。

### FZL 型重载公交型自动扶梯土建布置图

#### FZL Heavy-duty Public Traffic Type Escalator Construction Layout



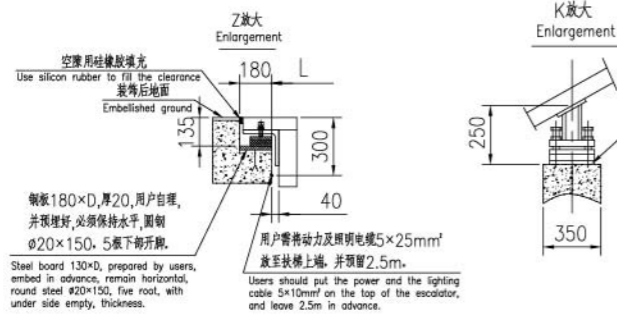
支点反力表

梯级宽度C (mm)	RU (kN)	RM (kN)	RD (kN)
800	4.1LU+16	6.2L+3	4.1LD+4
1000	4.6LU+16	7L+3	4.6LD+4

注: 1) 支点数超过三个时, 请向甲方咨询。  
2) 表中L, LU, LM, LD的单位为m。

注: E表示两支点间的最大距离。

型号Model	A	B	C	D	E
FZL30-800	800	1038	1500	1560	24900
FZL30-1000	1000	1238	1700	1760	21600



下列工程由用户自理, 敬请合作:

- 1、在自动扶梯出入口应有充分畅通的区域以容纳乘客, 该畅通区域的宽度至少等于扶手带外缘之间的距离加上每边各80mm, 其纵深尺寸至少为2.5m, 如果该区域宽度增至扶手带外缘之间距离加上每边各80mm的两倍以上, 则其纵深尺寸允许减少至2m。
- 2、自动扶梯与梯级交叉以及各交叉布置的自动扶梯之间, 应在外盖板上方设置一个无锐利边缘的垂直防撞板, 其高度不应小于0.3m, 且至少延伸至扶手带下缘25mm处(扶手带外缘与任何障碍物之间的距离大于或等于400mm时, 则无须遵守该要求)。
- 3、防止进入自动扶梯外盖板区域的阻挡装置。
- 4、扶梯周围的防护栏杆和玻璃两侧的防坠器。
- 5、用户应为自动扶梯及其用途提供足够和适当的照明, 在出入口, 包括扶手板处的照明度和该区域所要求的照明度相一致, 室内或室外自动扶梯的出入口的光照度分别至少为50LX或15LX, 这些均是在地面测出的。
- 6、扶梯周围地板, 天花板的加工工程。
- 7、若扶梯安装在底层, 底坑的排水工程由用户自理; 如有必要, 则采用防火结构。
- 8、主动力电缆前(就近)接空气开关和保险丝, 根据按电机功率选择。

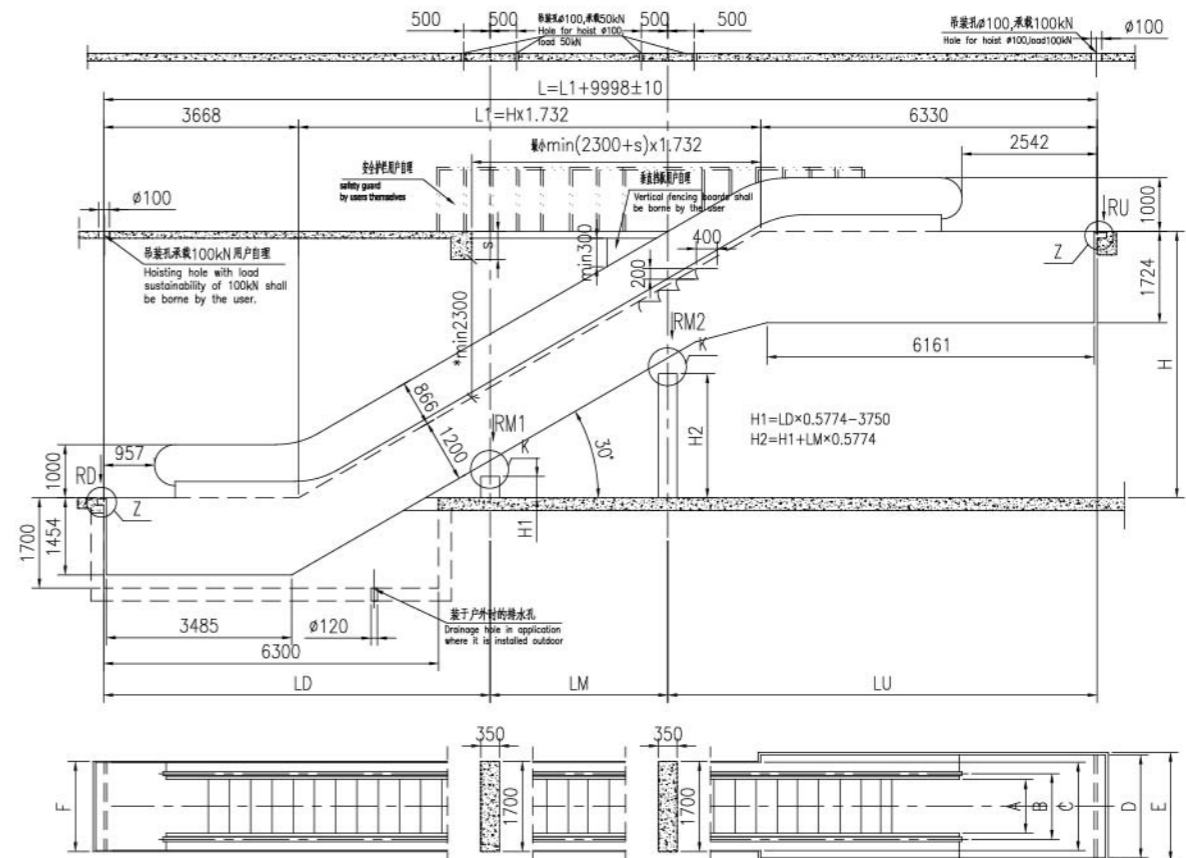
\*当此处有梁或其它障碍物时, 也必须保证踏板上方净高度不得小于2300。

梯级宽度 (mm)	额定速度 (m/s)	最大输送能力 (人/h)	电机功率 (kW)	最大提升高度 (m)	电机功率 (kW)	最大提升高度 (m)	电机功率 (kW)	最大提升高度 (m)
800	0.5	4800	15×2	20	18.5×2	24		
1000	0.5	6000	15×2	16.9	18.5×2	21.5	22×2	24
800	0.65	5900	15×2	15.5	18.5×2	20	22×2	24
1000	0.65	7300	15×2	13	18.5×2	16.5	22×2	20

\*以上参数为设备标准时尺寸, 如有特殊请与我司技术联系。

### SFD 型大高度室外公交型自动扶梯土建布置图

#### SFD Large Height Outdoor Public Traffic Type Escalator Construction Layout



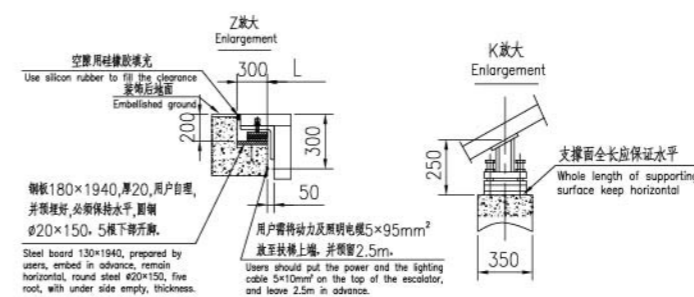
支点反力表

梯级宽度C (mm)	RU (kN)	RM1 (kN)	RM2 (kN)	RD (kN)
1000	6.3LU+60	6.3(LD+LM)+5	6.3(LM+LU)+5	6.3LD+20

注: 1) 支点数超过三个时, 请向甲方咨询。  
2) 表中L, LU, LM, LD的单位为m。

型号Model	A	B	C	D	E	F	M
SFD30-1000	1000	1238	1660	1940	2050	1760	21600

注: M表示两支点间的最大距离。



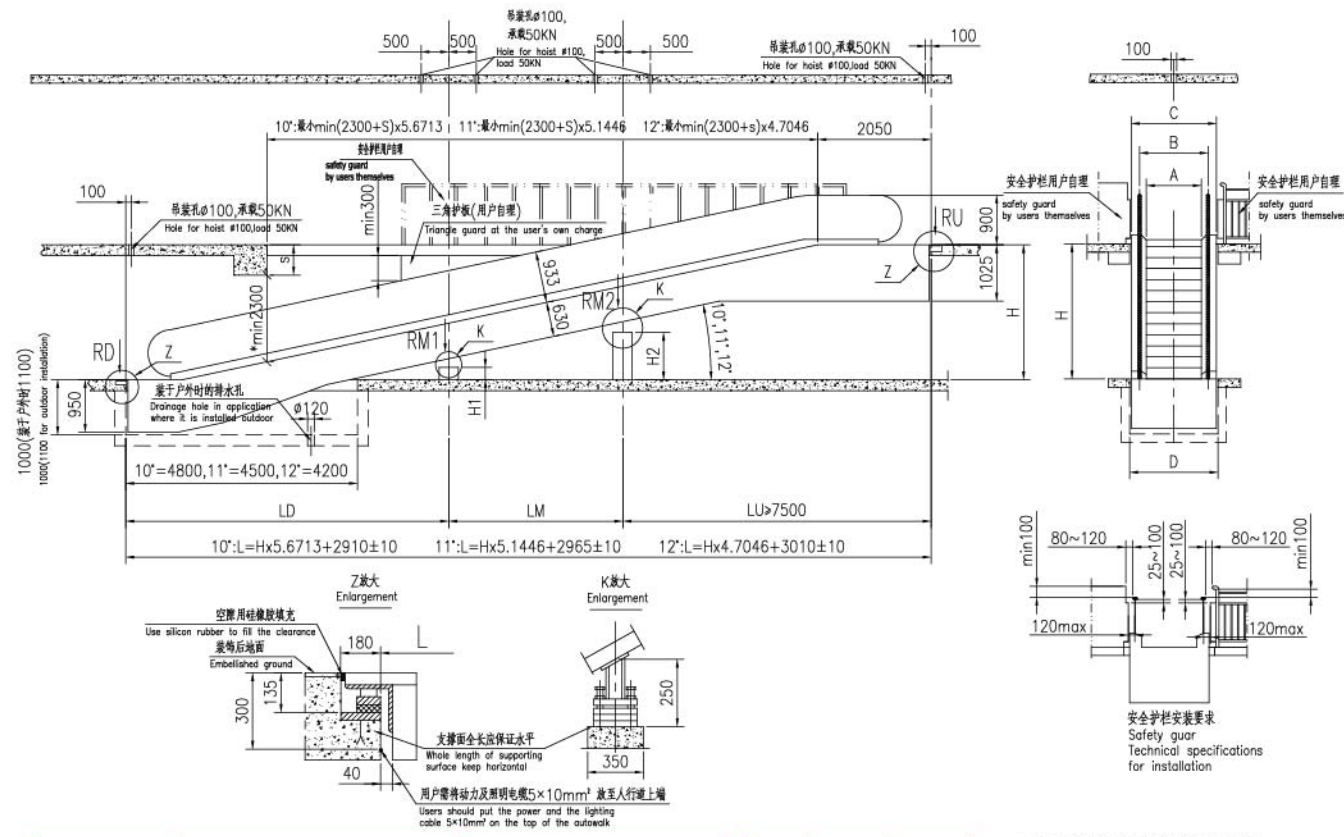
下列工程由用户自理, 敬请合作:

- 1、在自动扶梯出入口应有充分畅通的区域以容纳乘客, 该畅通区域的宽度至少等于扶手带外缘之间的距离加上每边各80mm, 其纵深尺寸至少为2.5m, 如果该区域宽度增至扶手带外缘之间距离加上每边各80mm的两倍以上, 则其纵深尺寸允许减少至2m。
- 2、自动扶梯与梯级交叉以及各交叉布置的自动扶梯之间, 应在外盖板上方设置一个无锐利边缘的垂直防撞板, 其高度不应小于0.3m, 且至少延伸至扶手带下缘25mm处(扶手带外缘与任何障碍物之间的距离大于或等于400mm时, 则无须遵守该要求)。
- 3、防止进入自动扶梯外盖板区域的阻挡装置。
- 4、扶梯周围的防护栏杆和玻璃两侧的防坠器。
- 5、用户应为自动扶梯及其用途提供足够和适当的照明, 在出入口, 包括扶手板处的照明度和该区域所要求的照明度相一致, 室内或室外自动扶梯的出入口的光照度分别至少为50LX或15LX, 这些均是在地面测出的。
- 6、扶梯周围地板, 天花板的加工工程。
- 7、若扶梯安装在底层, 底坑的排水工程由用户自理; 如有必要, 则采用防火结构。
- 8、主动力电缆前(就近)接空气开关和保险丝, 根据按电机功率选择。

\*当此处有梁或其它障碍物时, 也必须保证踏板上方净高度不得小于2300。

\*以上参数为设备标准时尺寸, 如有特殊请与我司技术联系。

### XPL型倾斜自动人行道土建布置图 XPL Inclination Moving Walk Construction Layout



10'		A=800					A=1000				
H(mm)	L(mm)	RU(kN)	RD(kN)	RM1(kN)	RM2(kN)	P(kw)	RU(kN)	RD(kN)	RM1(kN)	RM2(kN)	P(kw)
3000	19924	44	36	90			51	43	107		7.5
3500	22759	49	41	103		7.5	57	49	122		
4000	25595	54	46	116			64	55	138		
4500	28431	60	51	129		8	70	61	153		
5000	31266	66	57	141			77	68	168		11
5500	34102	71	62	154	91	11	84	75	183	108	
6000	36938	77	68	167	98		91	82	198	116	15

11'		A=800					A=1000				
H(mm)	L(mm)	RU(kN)	RD(kN)	RM1(kN)	RM2(kN)	P(kw)	RU(kN)	RD(kN)	RM1(kN)	RM2(kN)	P(kw)
3000	18399	42	34	83			48	40	99		7.5
3500	20971	45	38	95		7.5	53	45	113		
4000	23543	51	43	107			60	51	127		
4500	26115	55	47	119		8	65	56	141		11
5000	28688	61	52	130			71	62	154		
5500	31260	63	57	141	90	11	77	68	168	107	15
6000	33832	70	62	154	90		84	75	183	107	

12'		A=800					A=1000				
H(mm)	L(mm)	RU(kN)	RD(kN)	RM1(kN)	RM2(kN)	P(kw)	RU(kN)	RD(kN)	RM1(kN)	RM2(kN)	P(kw)
3000	17124	39	31	77			45	37	92		7.5
3500	19476	43	35	88		7.5	50	42	105		
4000	21828	48	40	94			56	47	117		
4500	24181	52	44	110		8	61	52	130		11
5000	26533	57	48	120			66	57	143		
5500	28885	61	52	130	90	11	71	62	155	99	15
6000	31238	66	57	141	90		77	68	168	99	

表中Lmax为两支点间最大距离。  
Lmax in tables refers to the maximum distance between two points

10' :H1=LD×0.1763-1080  
11' :H1=LD×0.1944-1090  
12' :H1=LD×0.2126-1100

10' :H2=H1+LM×0.1763  
11' :H2=H1+LM×0.1944  
12' :H2=H1+LM×0.2126

- 在自动人行道出入口应有充分畅通的区域以容纳乘客。该畅通区的宽度至少等于扶手外缘之间的距离加上每边各80mm。其纵尺寸至少为2.5m。如果该纵宽度增至扶手外缘之间距离加上每边各80mm的两倍以上，则其纵尺寸允许减少至2m。
  - 自动人行道与楼板交叉处以及各交叉布置的自动人行道之间，应在外楼板上设置一个无阻碍的垂直障碍物。其高度不应小于0.3m，且至少延伸至扶手下缘25mm或(扶手外缘与任何障碍物之间的距离大于或等于400mm时，则无阻碍要求)。
  - 禁止进入自动人行道外缘区域的阻挡装置。
  - 人行道周围的防护栏杆和人行道两侧的扶手。
  - 用户应为自动人行道及其周边提供充足和适当的照明。在出入口，包括楼层板区域的照明度应符合所要求的照明度。首层或室外自动人行道的出入口的照明度应至少为50LX或15LX。这些均是在地面测出的值。
  - 人行道周围地板、天花板的加工工程。
  - 若人行道安装在顶层，应设防水工程由用户自理，如有必要，则采用防水结构。
  - 主动力电缆(截式)接空气开关(DZ100)和保险丝(RL60)。
- \*当处于有乘或无乘时，也必须保证踏板上方净高度不小于2300。

注:1.表中RU、RD、RM1、RM2等值仅作参考，定货前请向申龙公司咨询。  
2.最大提升高度10m。  
Note:1.Values such as RD, RM1, RM2 are just for reference. Please consult Shenlong Corporation before placing orders.  
2. Maximum elevating height: 10m.

\*以上参数为设备标准尺寸，如有特殊请与我司技术联系。

